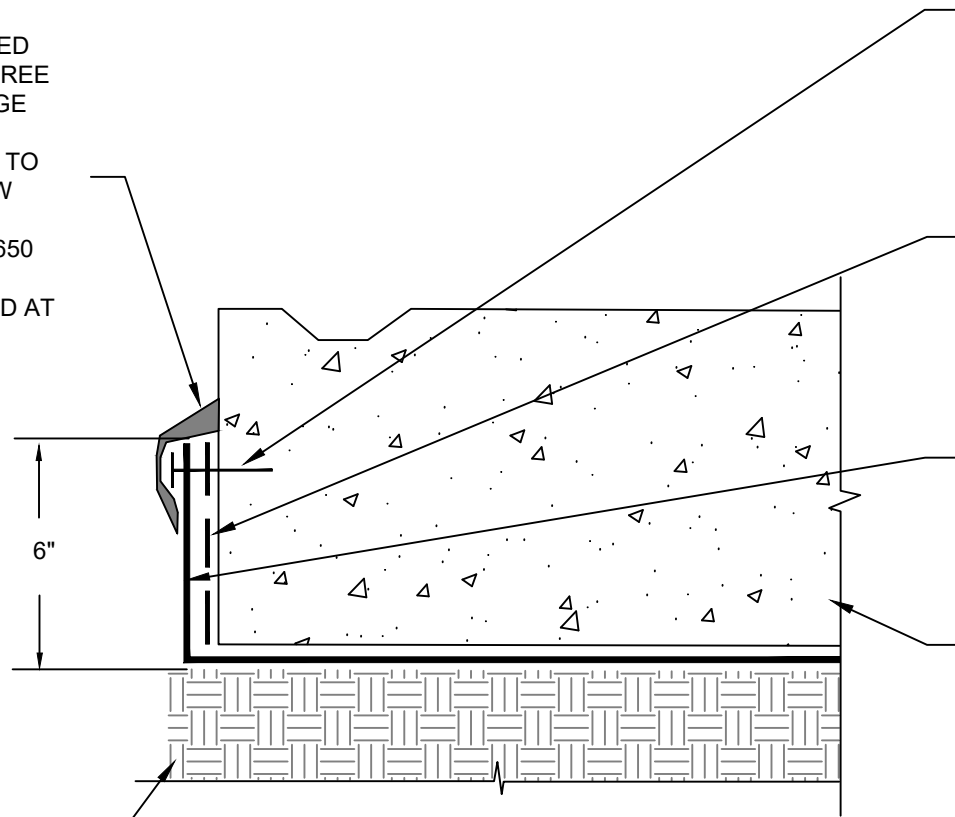


MINIMUM 90 MILS OF DETAIL SEALANT PW OR LM-95 APPLIED TO CLEAN, DRY AND FROST FREE CONCRETE AND THE TOP EDGE OF THE TERMINATION STRIP, OVER EACH FASTENER HEAD TO AND ONTO 1" OF HDPE BELOW THE TERMINATION STRIP ALL SURFACES PREPARED WITH 650 LT LIQUID ADHESIVE OR CALIFORNIA SEALANT APPLIED AT A RATE OF 250 - 300 SF/GAL



TERMINATION BAR AND FASTENERS SPACED 2" INWARD FROM EACH END OF TERMINATION STRIP AND NOT MORE THAN 8" SPACING BETWEEN FASTENERS

606 TAPE APPLIED TO CLEAN, DRY AND FROST FREE CONCRETE PREPARED WITH 650 LT LIQUID ADHESIVE OR CALIFORNIA SEALANT APPLIED AT A RATE OF 250 - 300 SF/GAL

CONTINUOUS UNDERSLAB MEMBRANE EXTENDED BEYOND FACE OF FOOTER / SLAB FOR ADHERING TO 606 TAPE. PREPARE FABRIC FOR TAPE INTERFACE WITH 650 LT LIQUID ADHESIVE OR CALIFORNIA SEALANT APPLIED AT A RATE OF 50 - 75 SF/GAL & SET WET ONTO 606 TAPE

EXISTING CONCRETE

APPROVED SUBSTRATE

US7

SECTION @ POST CONCRETE POUR TERMINATION OF UNDERSLAB MEMBRANE TO FACE OF FOOTER - STRUCTURAL SLAB

<p>The information provided is based on data and knowledge considered to be true and accurate and is offered for the users' consideration, investigation and verification, but we do not warrant the results to be obtained. Please read all data sheets, statements, recommendations or suggestions in conjunction with our conditions of sale, which apply to all goods supplied by us.</p>	NOT TO SCALE
	EFFECTIVE DATE: 02/01/2022
	SUPERCEDES: 07/22/2021