

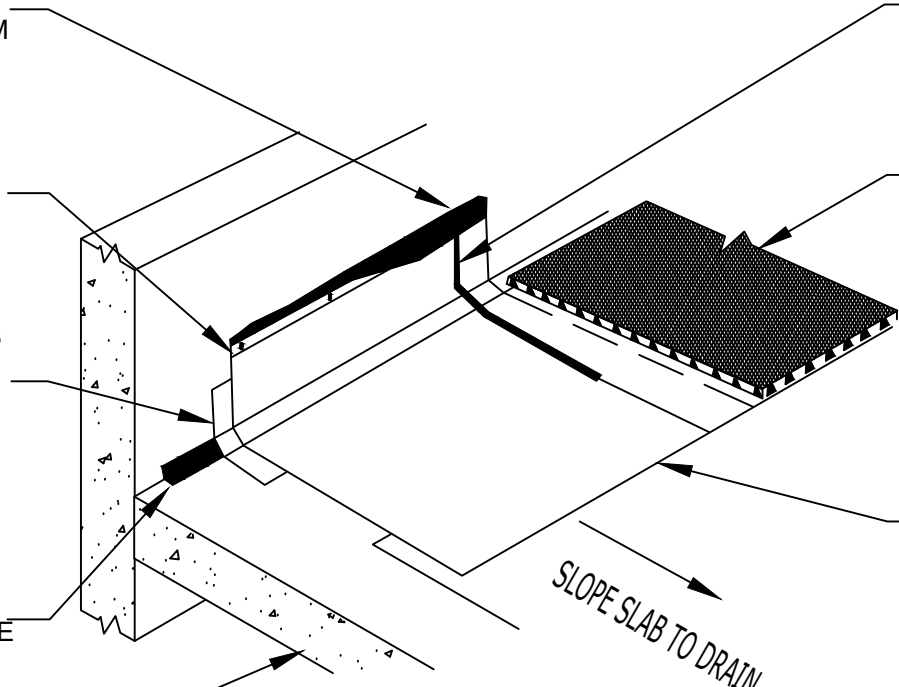
DETAIL SEALANT PW OR LM95 LIQUID MEMBRANE APPLIED TO THE TOP OF THE TERMINATION BAR AND COVERING A MINIMUM 1/8" BEYOND PERIMETER OF FASTENER HEADS

1/8" X 1" METAL TERMINATION BAR FASTENED AT 8" SPACING AND 2" FROM EACH END - BY OTHERS

12" DETAIL TAPE APPLIED TO INSIDE AND OUTSIDE CORNERS PREPARED WITH 650 LT LIQUID ADHESIVE OR CALIFORNIA SEALANT AT A RATE OF 250 - 300 SF/GAL OR 650 WB LIQUID ADHESIVE AT A RATE OF 350 - 400 SF/GAL

3/4" FILLET OF DETAIL SEALANT PW OR LM-95 LIQUID MEMBRANE APPLIED TO RAW CONCRETE

SUBSTRATE



DETAIL SEALANT PW OR LM-95 LIQUID MEMBRANE MINIMUM 12" ONTO SEAMS EXTENDING FROM WALL TO SLAB INTERSECTIONS - TOOL TO A MINIMUM 30 MIL THICKNESS AND 1" TO EACH SIDE OF THE EDGE

POLYFLOW 18 SHEET MOLDED DRAIN OR PROTECTION - WOVEN MESH FACING TOPPING SLAB

PRM APPLIED TO SUBSTRATES PREPARED WITH 650 LT LIQUID ADHESIVE OR CALIFORNIA SEALANT AT A RATE OF 250 - 300 SF/GAL OR 650 WB LIQUID ADHESIVE AT A RATE OF 350 TO 400 SF/GAL - OVERLAPS MINIMUM 2 1/2" SIDE AND 6" END LAPS - SHINGLE LAP TO DRAIN

SLOPE SLAB TO DRAIN



OVERVIEW@ HORIZONTAL SLAB AT WALL TERMINATION

SPECIAL NOTE: IF ADHESIVE IS REQUIRED FOR SEAMS OR ENDLAPS DO NOT USE 650 WB LIQUID ADHESIVE

© POLYGUARD PRODUCTS, INC.
MATERIALS SEPARATED FOR CLARITY

The information provided is based on data and knowledge considered to be true and accurate and is offered for the users' consideration, investigation and verification, but we do not warrant the results to be obtained. Please read all data sheets, statements, recommendations or suggestions in conjunction with our conditions of sale, which apply to all goods supplied by us.	NOT TO SCALE
	EFFECTIVE DATE: 07/01/2019
	SUPERCEDES: 07/05/2017