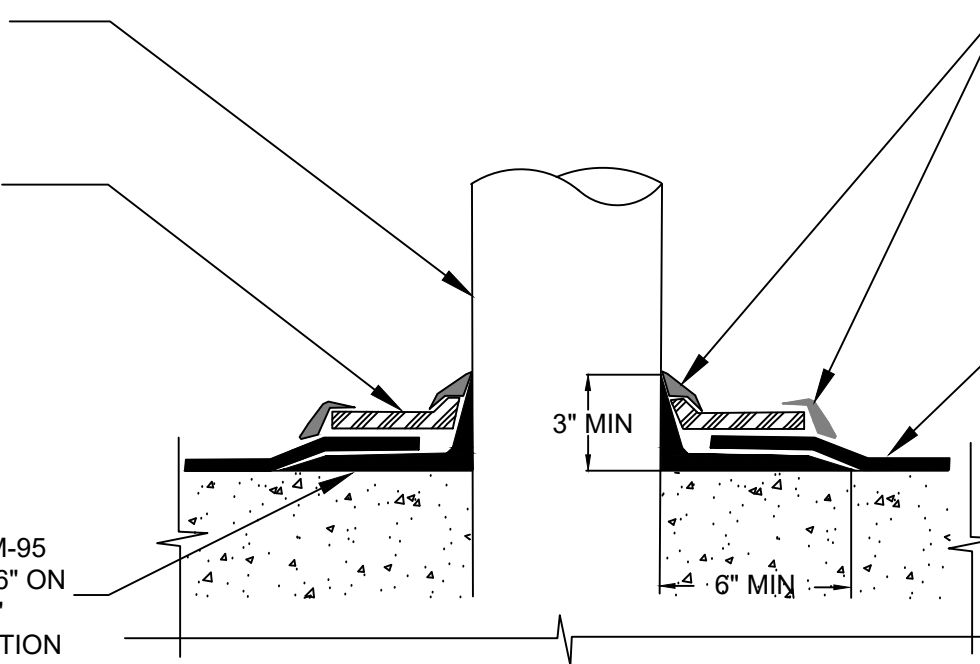


SECURED PENETRATION
MEMBER CLEAN AND ABRAID
3" OF THE BASE OF
PENETRATION SIDEWALLS

TARGET PATCH OF PRM
TO CREATE A TIGHT SEAL
AROUND PENETRATION

DETAIL SEALANT PW OR LM-95
LIQUID MEMBRANE APPLY 6" ON
TO RAW CONCRETE AND 3"
ONTO ABRAIDED PENETRATION



DETAIL SEALANT PW OR
LM-95 LIQUID MEMBRANE
APPLIED TO TERMINAL
EDGES OF TARGET PATCH

FIELD SHEET OF PRM ROUGH FIT
AROUND PENETRATION APPLIED TO
SUBSTRATE PREPARED WITH 650 LT
LIQUID ADHESIVE OR CALIFORNIA
SEALANT AT A RATE OF 250 -300
SF/GAL OR 650 WB LIQUID
ADHESIVE AT A RATE OF 350 TO 400
SF/GAL



SECTION@ HORIZONTAL PENETRATION WATERPROOFING

© POLYGUARD PRODUCTS, INC.
MATERIALS SEPARATED FOR CLARITY

**SPECIAL NOTE: IF ADHESIVE IS REQUIRED FOR
SEAMS OR ENDLAPS DO NOT USE 650 WB
LIQUID ADHESIVE**

The information provided is based on data and knowledge considered to be true and accurate and is offered for the users' consideration, investigation and verification, but we do not warrant the results to be obtained. Please read all data sheets, statements, recommendations or suggestions in conjunction with our conditions of sale, which apply to all goods supplied by us.	NOT TO SCALE
	EFFECTIVE DATE: 07/01/2019
	SUPERCEDES: 11/26/2014