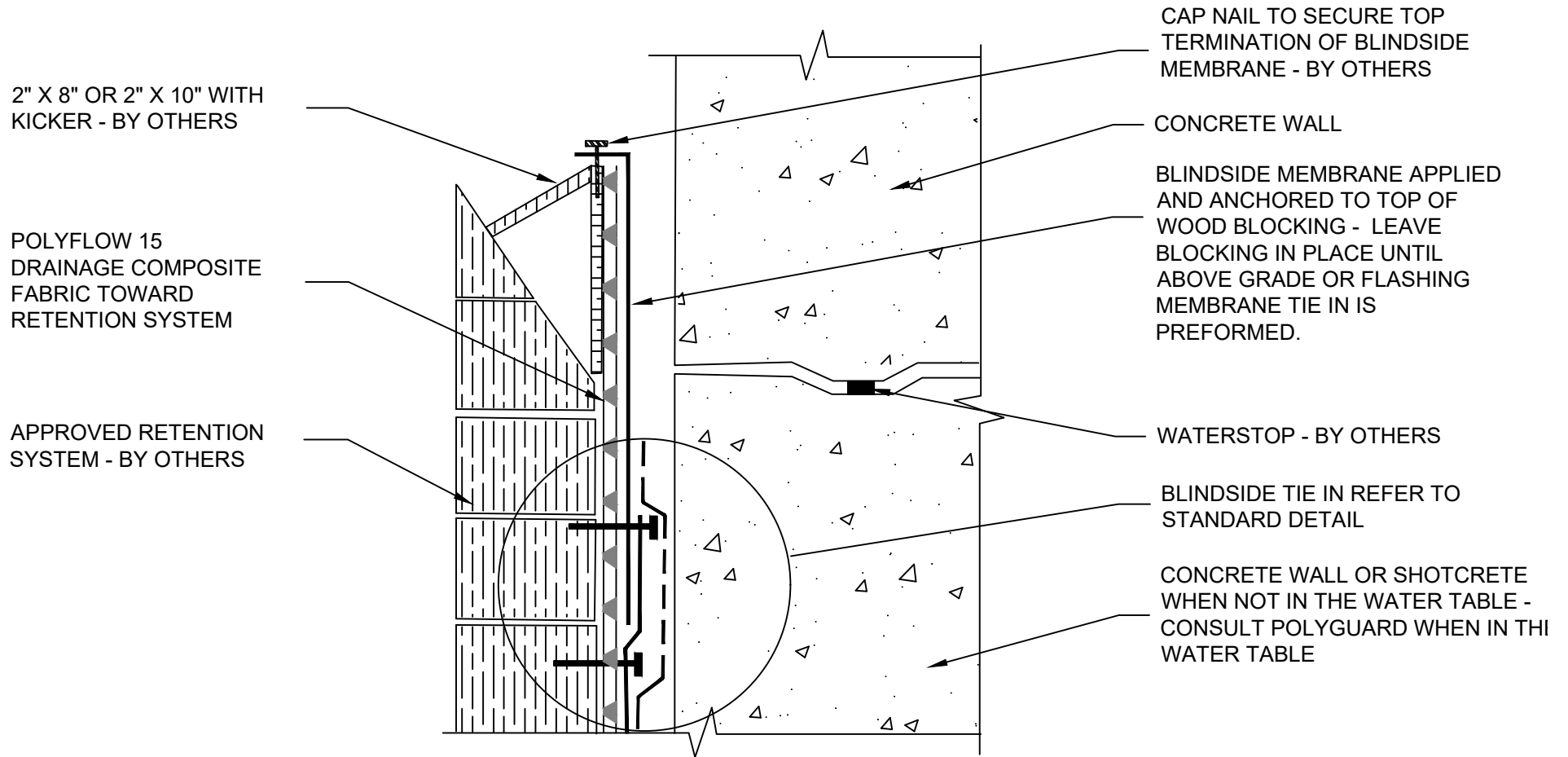


NOTE: CRITICAL DETAIL - WARRANTY INVOLVED



BS16

SECTION@ TOP OF WALL TERMINATION MECHANICALLY FASTENED

© POLYGUARD PRODUCTS, INC.
MATERIALS SEPARATED FOR CLARITY

Polyguard Products, Inc.
P.O. Box 755 - Ennis, TX 75119
Phone: 214-515-5000
Web Site - www.polyguard.com

<p>The information provided is based on data and knowledge considered to be true and accurate and is offered for the users' consideration, investigation and verification, but we do not warrant the results to be obtained. Please read all data sheets, statements, recommendations or suggestions in conjunction with our conditions of sale, which apply to all goods supplied by us.</p>	NOT TO SCALE
	EFFECTIVE DATE: 01/18/2022
	SUPERCEDES: 03/05/2021